

4

3

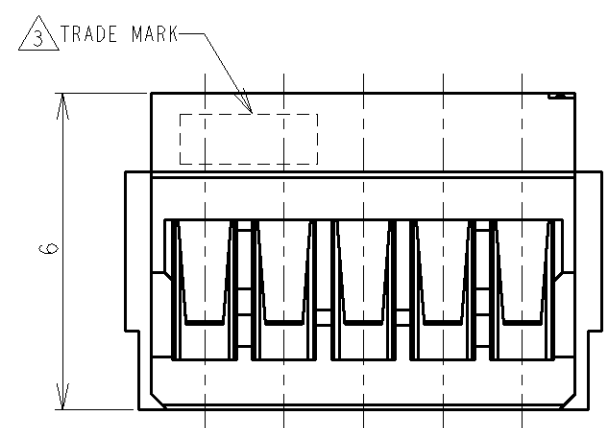
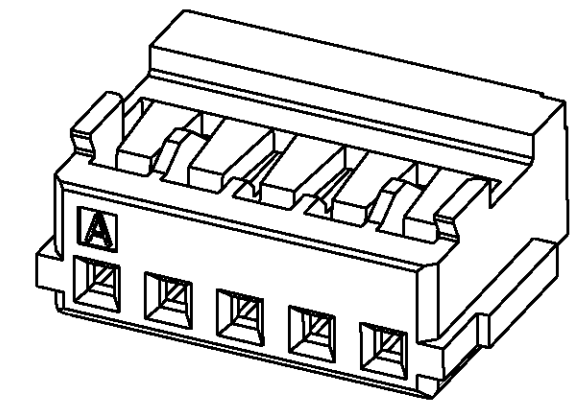
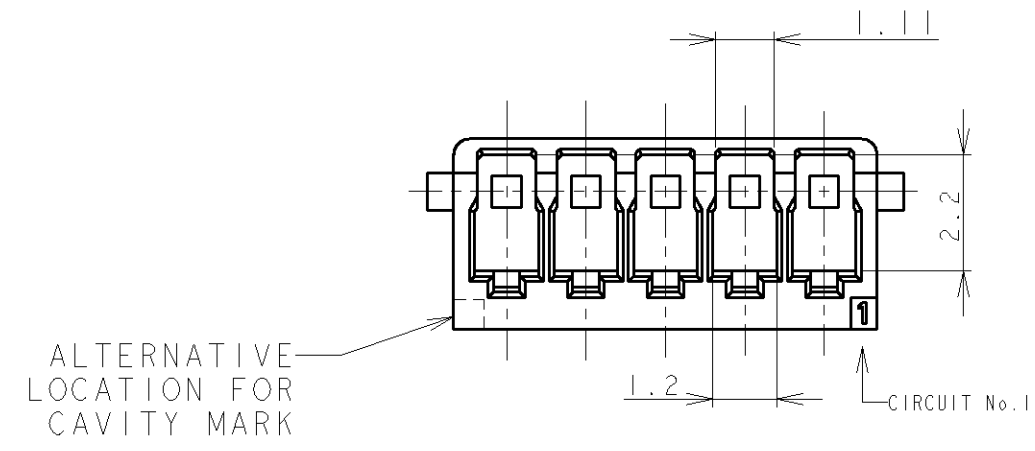
2

1

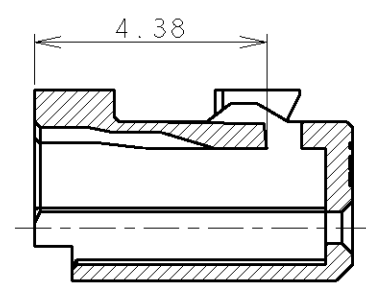
THIS DRAWING IS UNPUBLISHED. RELEASED FOR PUBLICATION .19 .

© COPYRIGHT 19 BY AMP INCORPORATED. ALL RIGHTS RESERVED.

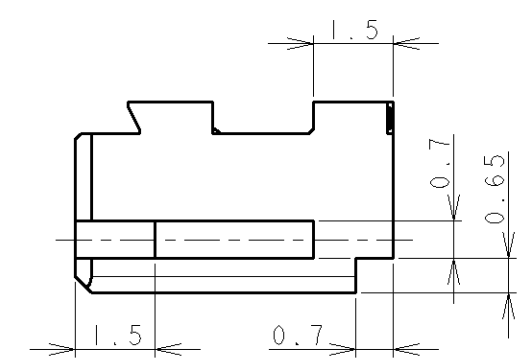
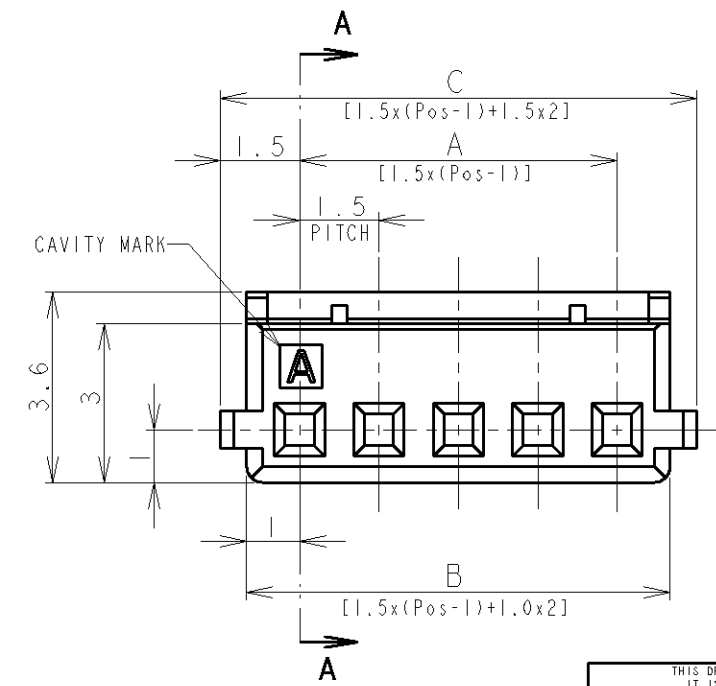
LOC	DIST	REVISIONS			
P	LTR	DESCRIPTION	DATE	DWN	APVD
DY	-	A	REVISED FP00-0386-02	8NOV02	LWY CWL



- NOTES:
1. APPLICABLE WIRE SIZE: AWG#24~#30 (0.2mm²~0.05mm²)
INSULATION DIAMETER: 0.7mm~1.0mm
 2. USE WITH RECEPTACLE CONTACT P/N AWG#24~#28: 84727
- △ TRADEMARK CAN BE "AMP" OR "TYCO" IN APPROXIMATE LOCATION SHOWN



SECT A-A


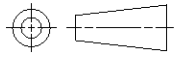


THIS DRAWING IS A CONTROLLED DOCUMENT FOR AMP INCORPORATED. IT IS SUBJECT TO CHANGE AND THE CONTROLLING ENGINEERING ORGANIZATION SHOULD BE CONTACTED FOR THE LATEST REVISION.		DWN WYLEE	23MAY01	AMP MANUFACTURING (SINGAPORE) PTE. LTD.	
DIMENSIONS: mm		CHK NG PH	APVD WL CHOO		
		TOLERANCES UNLESS OTHERWISE SPECIFIED 0 PLC ± 1 PLC ± 2 PLC ± 3 PLC ± 4 PLC ± ANGLES ± FINISH ±		AMP Mini Common Terminated (CT) Connector 1.5mm Pitch HOUSING, CRIMP TYPE	
MATERIAL 66NYLON UL94-V0		APPLICATION SPEC 108-5575		SIZE A3	CAGE CODE 00779
		WEIGHT 114-51009		DRAWING NO C-84726	
CUSTOMER DRAWING				SCALE 7:1	SHEET 1 OF 2
				REV A	

LOC DY	DIST -	REVISIONS					
		P	LTR	DESCRIPTION	DATE	DWN	APVD

0.30	31.5	30.5	28.5	20	8-84726-0	2-84726-0
0.29	30.0	29.0	27.0	19	7-84726-9	1-84726-9
0.27	28.5	27.5	25.5	18	7-84726-8	1-84726-8
0.26	27.0	26.0	24.0	17	7-84726-7	1-84726-7
0.24	25.5	24.5	22.5	16	7-84726-6	1-84726-6
0.23	24.0	23.0	21.0	15	7-84726-5	1-84726-5
0.21	22.5	21.5	19.5	14	7-84726-4	1-84726-4
0.20	21.0	20.0	18.0	13	7-84726-3	1-84726-3
0.19	19.5	18.5	16.5	12	7-84726-2	1-84726-2
0.17	18.0	17.0	15.0	11	7-84726-1	1-84726-1
0.16	16.5	15.5	13.5	10	7-84726-0	1-84726-0
0.14	15.0	14.0	12.0	9	6-84726-9	84726-9
0.13	13.5	12.5	10.5	8	6-84726-8	84726-8
0.13	12.0	11.0	9.0	7	6-84726-7	84726-7
0.10	10.5	9.5	7.5	6	6-84726-6	84726-6
0.09	9.0	8.0	6.0	5	6-84726-5	84726-5
0.07	7.5	6.5	4.5	4	6-84726-4	84726-4
0.06	6.0	5.0	3.0	3	6-84726-3	84726-3
0.04	4.5	3.5	1.5	2	6-84726-2	84726-2
WEIGHT (g)	C	B	A	Pos	BLUE	WHITE
	DIMENSIONS				P/N	

THIS DRAWING IS UNPUBLISHED. RELEASED FOR PUBLICATION BY AMP INCORPORATED. ALL RIGHTS RESERVED. COPYRIGHT 19

DIMENSIONS: mm		DWN WYLEE	MATERIAL	SEE SHEET 1 OF 2	FINISH	SEE SHEET 1 OF 2
TOLERANCES UNLESS OTHERWISE SPECIFIED: 0 PLC ± 1 PLC ± 2 PLC ± 3 PLC ± 4 PLC ± ANGLES ±		CHK NG PH	AMP AMP MANUFACTURING (SINGAPORE) PTE. LTD.			
		APVD WL CHOO				
PRODUCT SPEC		NAME AMP Mini Common Terminated (CT) Connector 1.5mm PITCH				
108-5575		HOUSING FOR CRIMP TYPE				
APPLICATION SPEC		SIZE	CAGE CODE	DRAWING NO	RESTRICTED TO	
114-51009		A4	00779	C=84726		
WEIGHT SEE TABLE		CUSTOMER DRAWING				
		SCALE	NON	SHEET	2	OF 2
AMP 1469-35 REV 27JUN96				REV	A	